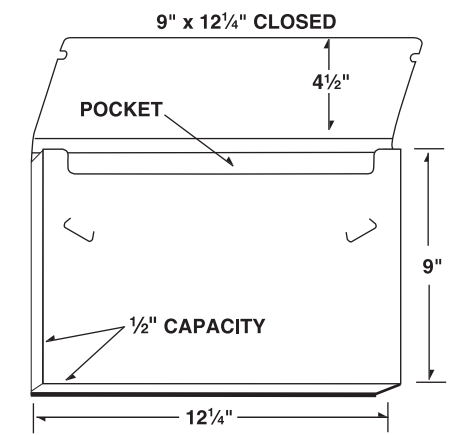


36-05



Designer Tip:
Request a sample before beginning design layout. You may also find it helpful to print a reduced copy, and fold it up. This mini-mockup will help you properly place and arrange artwork.

BLEEDS:
Extend 1/8" past edge of Dieline

