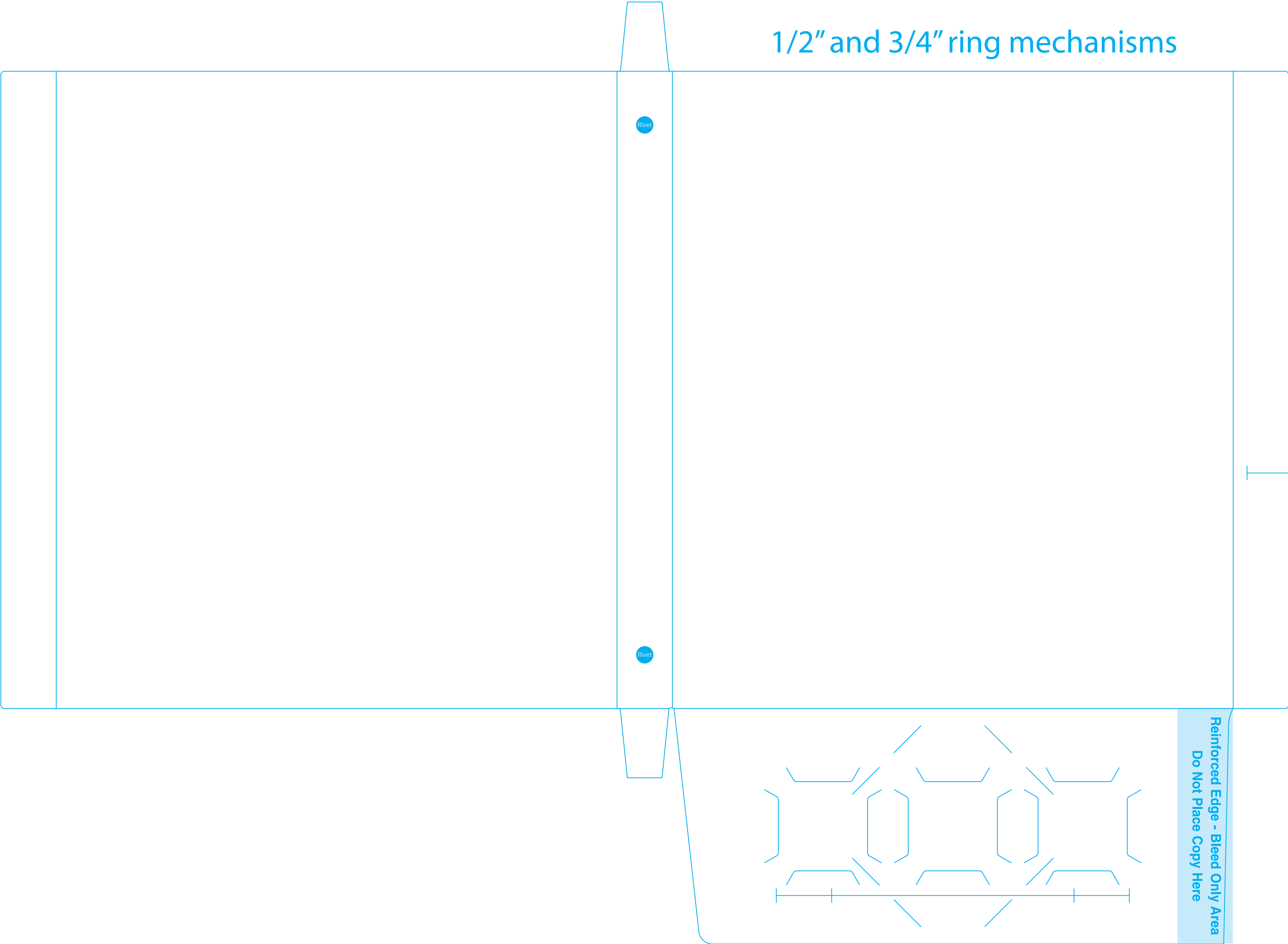


1/2" and 3/4" ring mechanisms



Reinforced Edge - Bleed Only Area
Do Not Place Copy Here