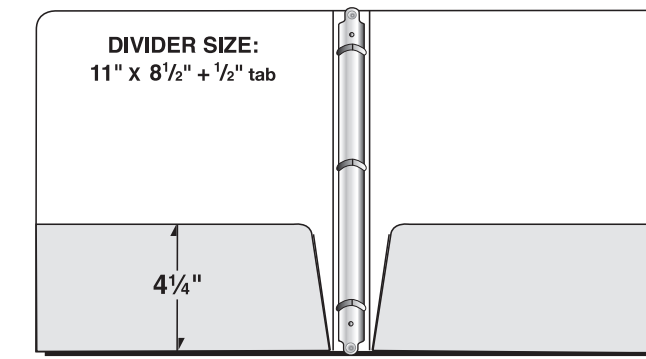


88-01-ECO



Eco-Binder Artwork Design Tips

- To keep your artwork design "green" avoid the use of solid (heavy) ink coverage.
- This item is produced on double thick (duplex) stock containing recycled fibers. This stock tends to crack at the scores when folded. To minimize this, keep ink areas (artwork) from crossing the scores of your Eco-Binder.

Eco-Binder Artwork Design Tips

- To keep your artwork design "green" avoid the use of solid (heavy) ink coverage.
- This item is produced on stock containing recycled fibers. This stock tends to crack at the scores when folded. To minimize this, keep ink areas (artwork) from crossing scores of your Eco-Binder.

11 1/2"

COPY DIRECTION

BLEEDS: Extend 1/8" past edge of Dieline

4 1/4"

COPY DIRECTION

BLEEDS: Extend 1/8" past edge of Dieline

Let the back cover bleed wrap -- don't do a "pocket-color match"

Let the front cover bleed wrap -- don't do a "pocket-color match"

10 5/8"

BACK COVER

2"

10 5/8"

FRONT COVER

OPTIONAL  
4" x 2" Window

RIGHT POCKET

LEFT POCKET